



food service
equipment

www.SBSfoodservice.com

Schaerer Coffee Celebration

The next generation of espresso and coffee machines.

Performance

- Espresso: 200 per hour
- Americano: 180 per hour
- Steam: 60 litres per hour

Highlights

- Eye catching design
- Digital display with full reporting capabilities
- Option for under counter coffee grounds disposal
- Temperature controlled Steam Wand

Profile

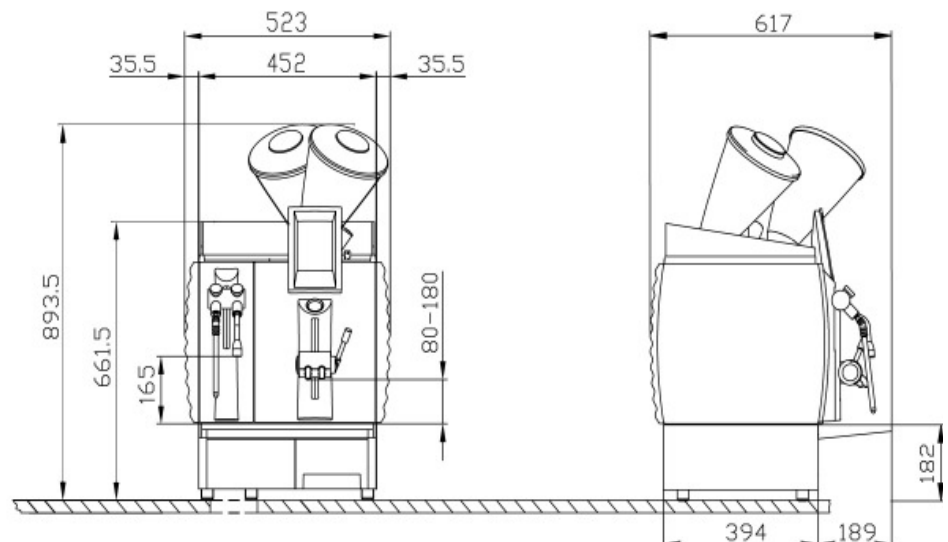
- Grinders: up to 4 (3 with DECAF function)
- Boilers: 1 coffee, 1 hot water, 1 steam
- Electricity: 208v, 3-phase, 30amp
- Water Connection: 3/8 compression
- Choice of products: up to 32 different products programmable



Model "BC"



Coffee Celebration Utility Specifications



Specialty Beverage Solutions

phone: 403.880.2900 or 403.828-0467 • fax: 403.770.9790
email: sales@SBSolutions.ca

